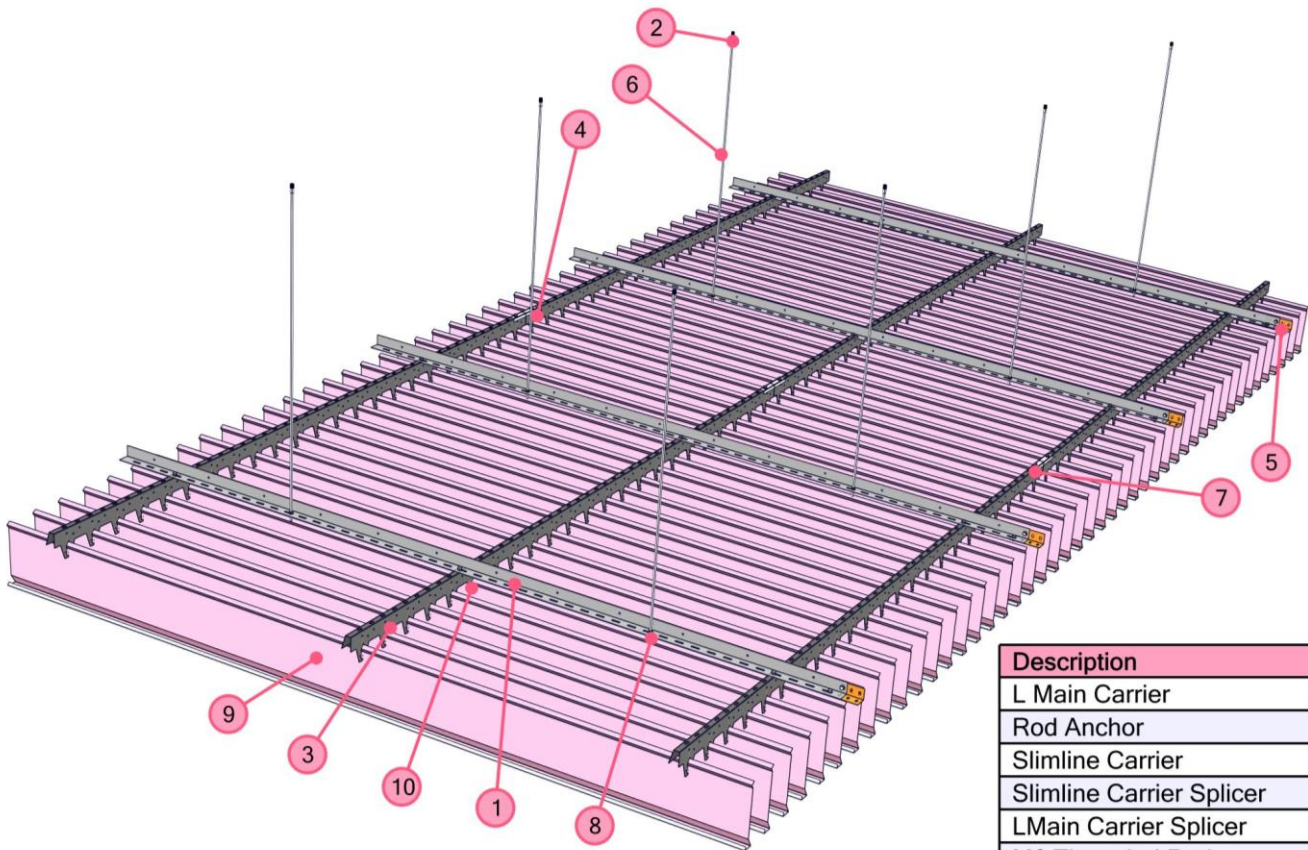




**SLIMLINE  
SYSTEM**

# SLIMLINE SYSTEM



Description	ID
L Main Carrier	1
Rod Anchor	2
Slimline Carrier	3
Slimline Carrier Splicer	4
LMain Carrier Splicer	5
M6 Threaded Rod	6
M6x15 Bolt	7
M6 Nut	8
Slimline Baffle Panel	9
Slimline Carrier Locking Clip	10

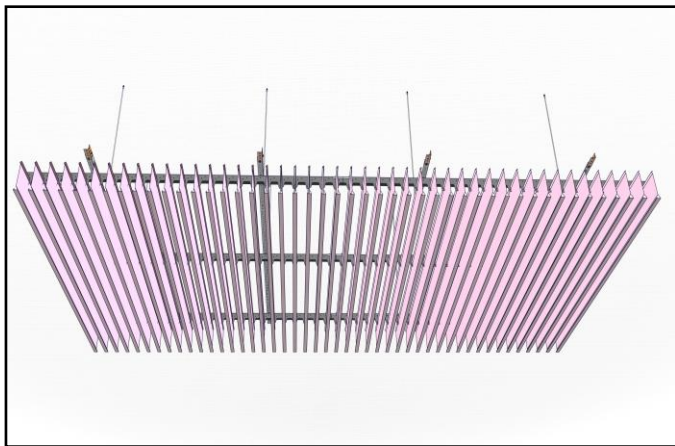
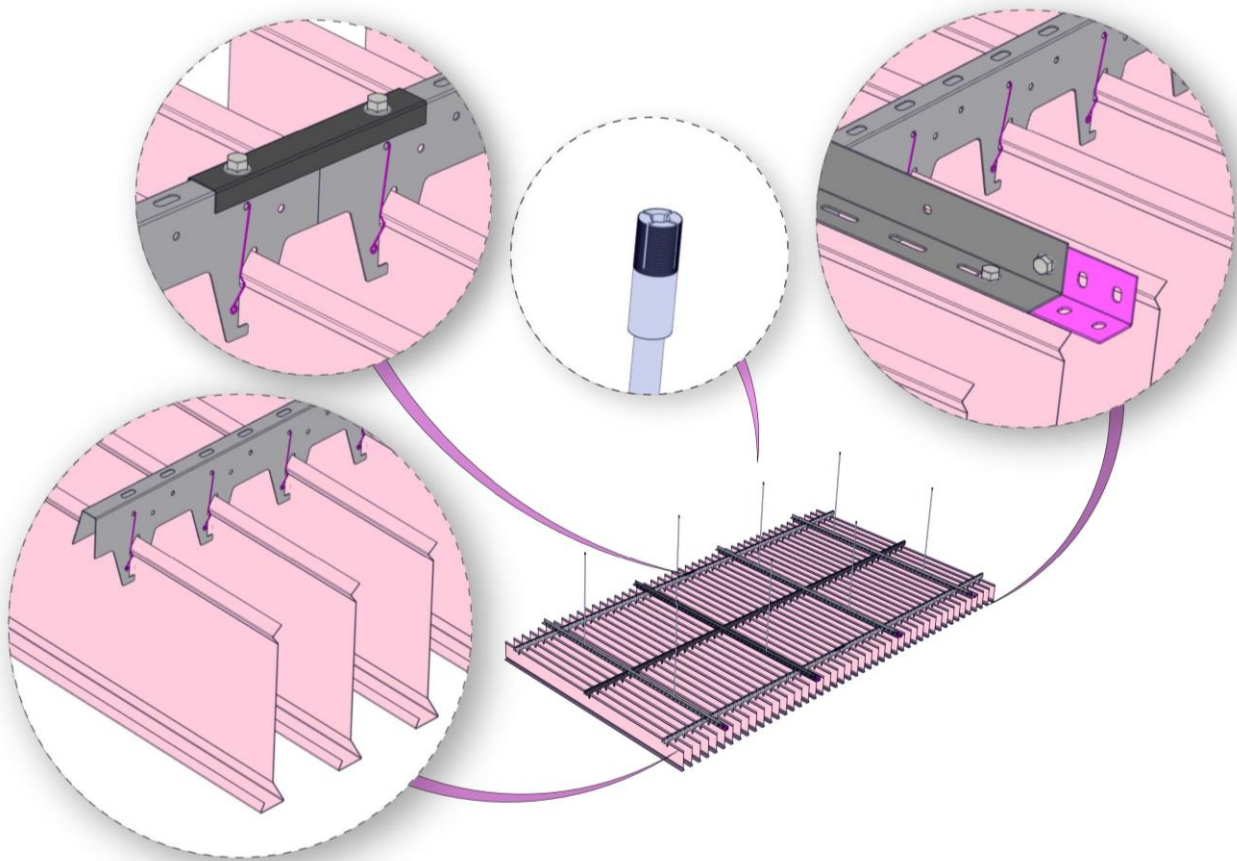
- Thanks to special lock system Slimline System is also suitable for under canopy areas and the system is preferred at corridor type spaces.
- Slimline panels continue along the area horizontally that helps continuous effect at ceiling appearance. System allows varied light fixture application so that it provides different design alternatives for projects.

**Slimline panel size :** height is offered 100-150-200 mm.

Length is up to 3000 mm.

Pre-painted or post-painted alternatives are possible.

# DETAIL VIEW



## HYGIENE

High performance in Blocking bacterial formation on panel surfaces by applying anti-microbial paint.

## PAINT

Prior to paint. Sensitive surface cleaning and phosphate coverage is applied. 60 minimum micron powder paint is sprayed by electrostatic system through 6 robots and cooked in a 180 meters long oven. The entire painting process takes place automatically by computer control.

## MATERIAL OPTIONS

Galvanized Steel/Aluminum

## ACOUSTIC

No acoustic performance for this system.

## HUMIDITY

Galvanize panel: 90% RH

Aluminum panel: 100 % RH

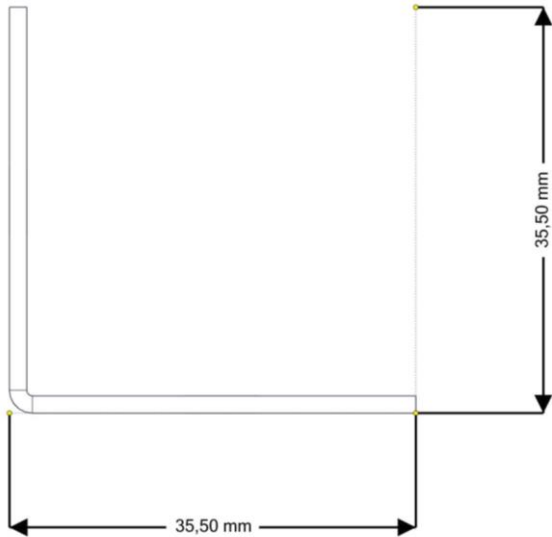
## LIGHT REFLECTION

Straight Panel: 9010 Painted % 86

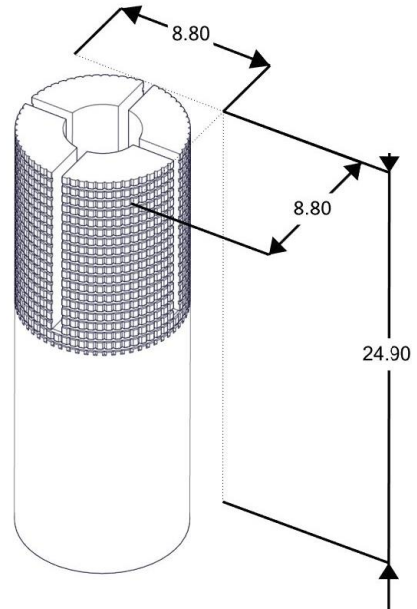
Perforated Panel : 9010 Painted % 72

# ELEMENT SPECIFICATION

## 1. L Main Carrier



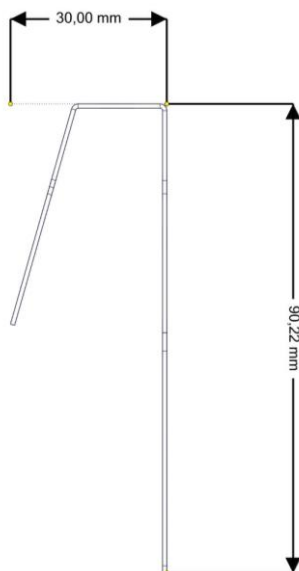
## 2. Anchor



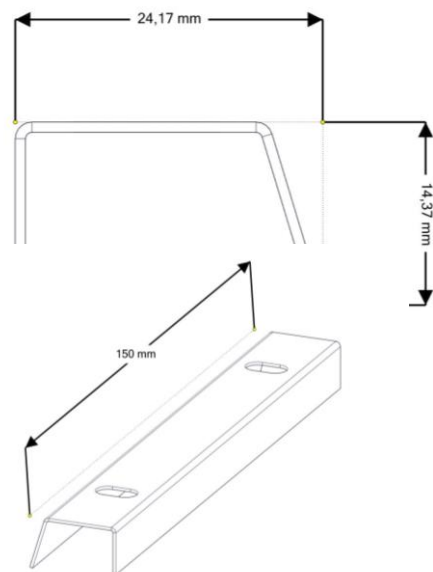
T : 1,5 mm Galvanized Steel  
W : 35,5 mm H : 35,5 mm L : Up to 3000 mm

T : Ø 6 mm Galvanized Steel  
H : 25 mm

## 3. Slimline Carrier



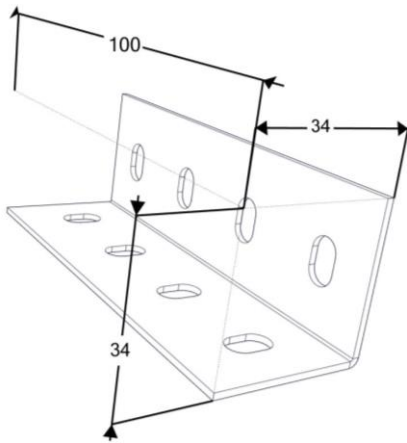
## 4. Slimline Carrier Splicer



T : 0,80 mm Galvanized Steel  
W : 30 mm H : 90,22 mm L : Up to 3000 mm

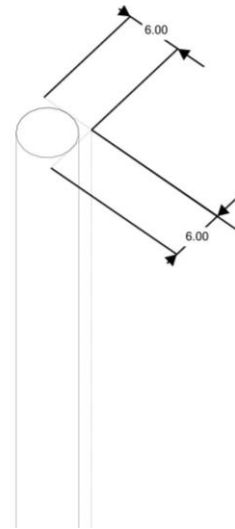
T : 0,80 mm Galvanized Steel  
W : 24,17 mm H : 14,37 mm L : 150 mm

**5. L Main Carrier Splicer**



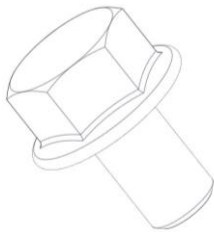
**T** : 1 mm Galvanized Steel  
**W** : 34 mm    **H** : 34 mm    **L** : 100 mm

**6. Hanger Wire**



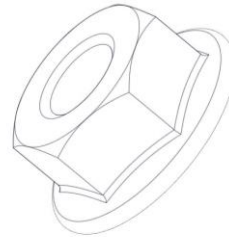
**T** : Ø 6 mm Galvanized Steel  
**L** : Max 2000 mm

**7. M6 Bolt**



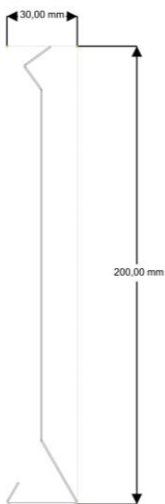
**Type** : M6 Bolt Steel

**8. M6 Nut Steel**



**Type** : M8 Nut Steel

**9. Slimline Baffle Panel**



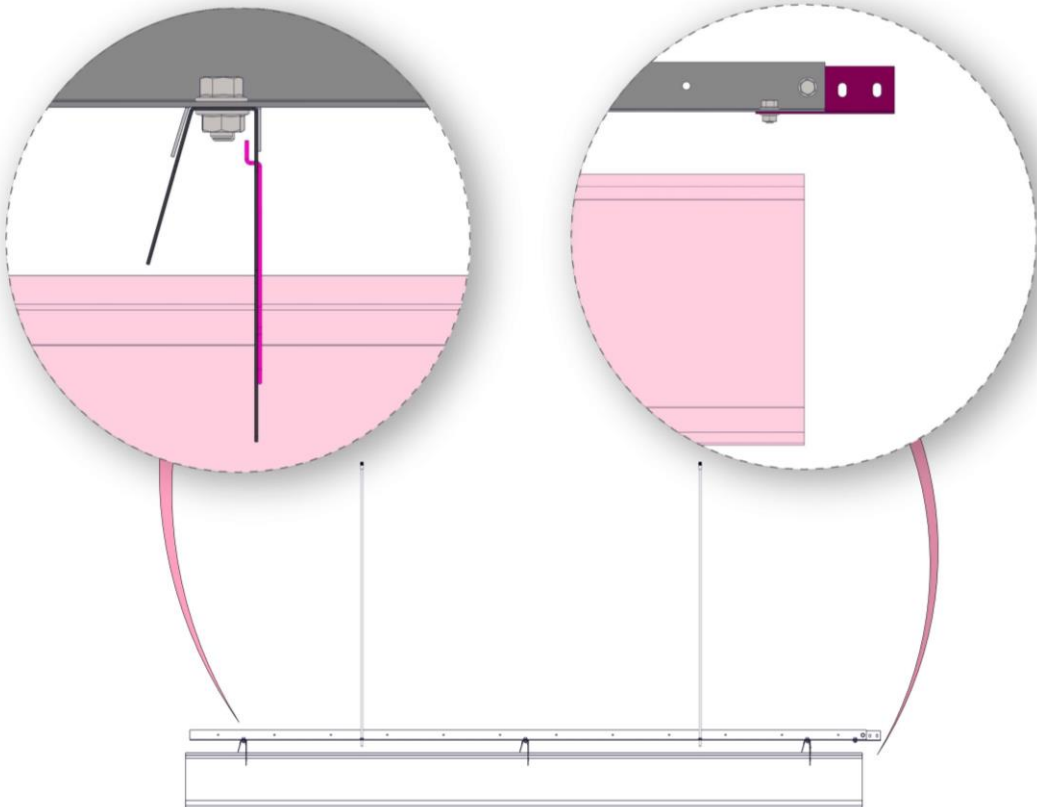
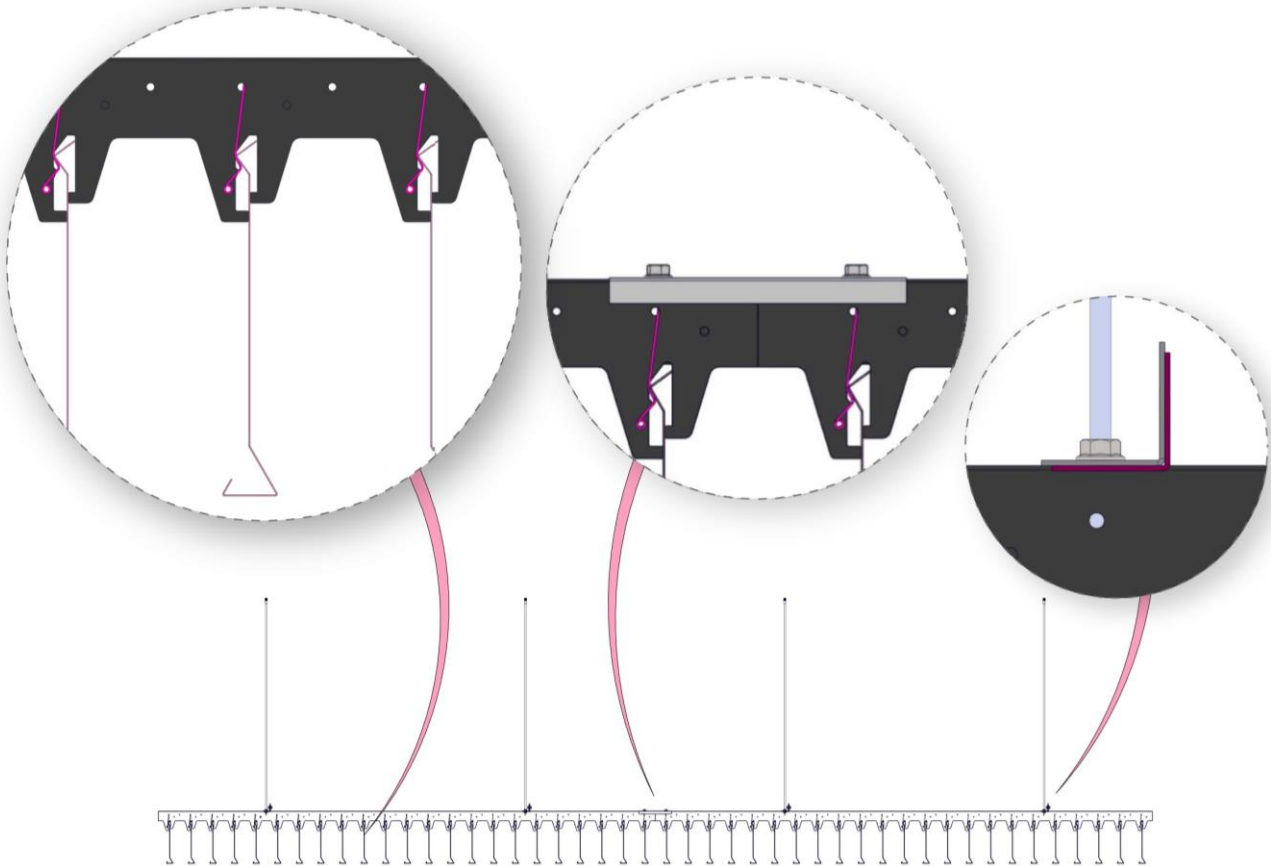
**T** : 0,50 mm Galvanized Steel / 0,60 mm Aluminum  
**W** : 30 mm    **H** : 200 – 300 mm    **L** : up to 3000 mm

**10. Slimline Baffle Panel Locking Clip**



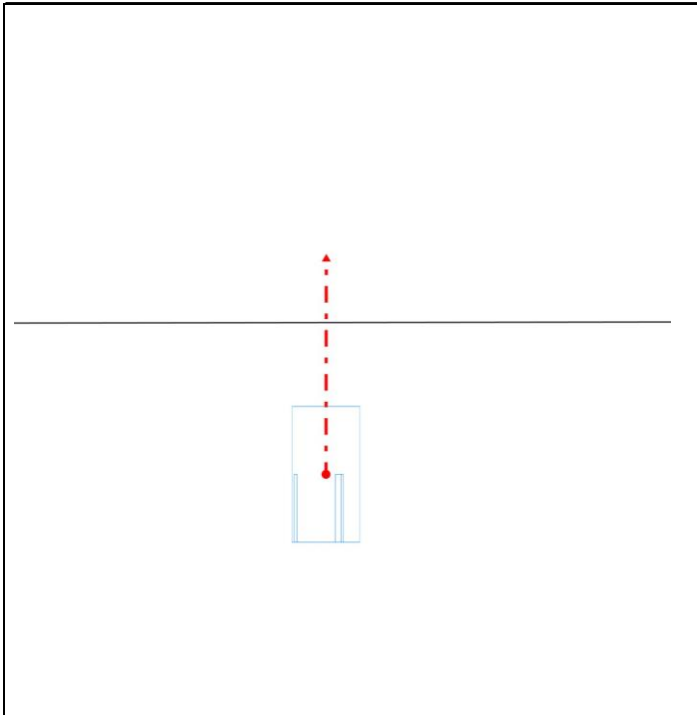
**T** : Ø 1 mm Galvanized Steel

# DETAIL SECTION

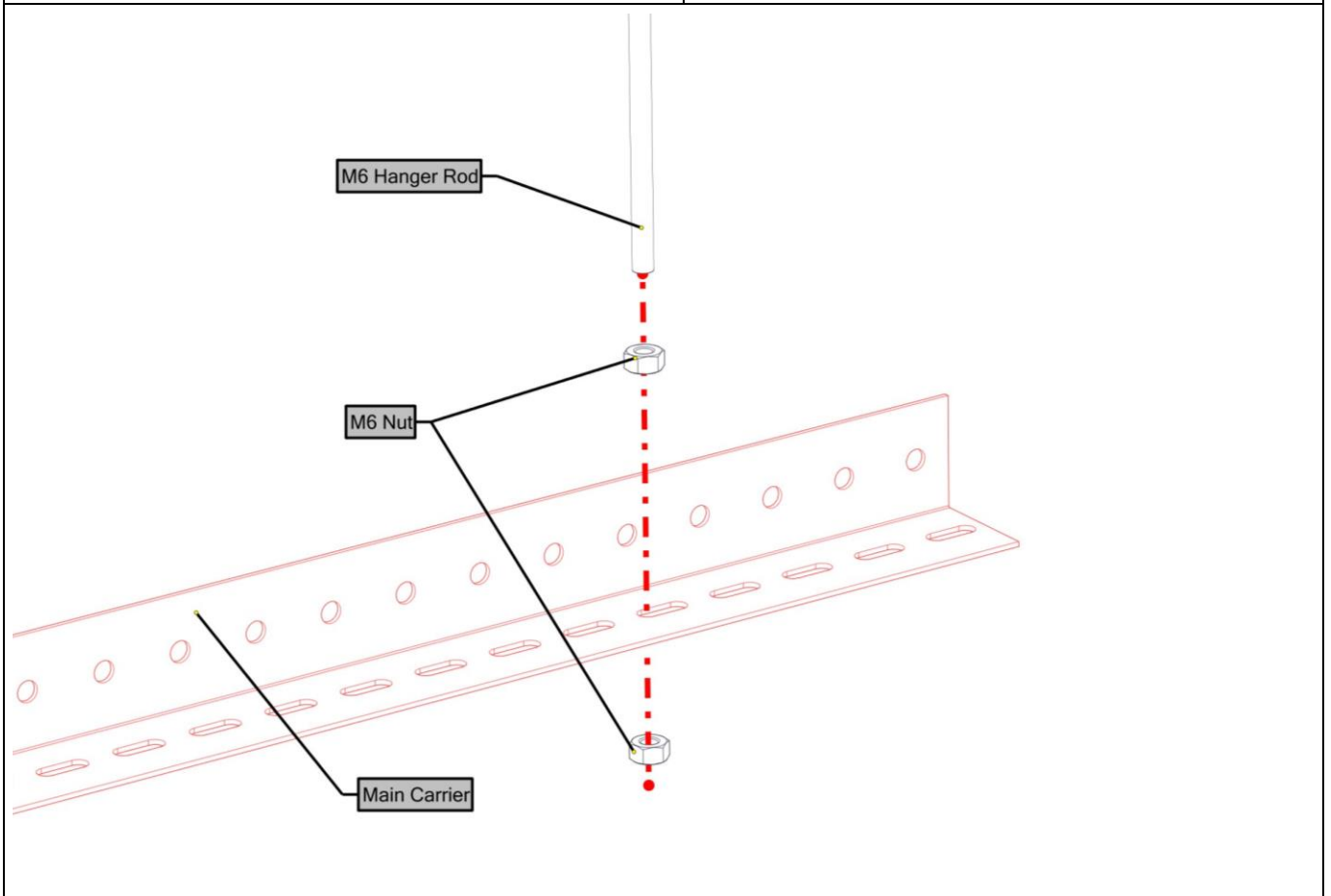
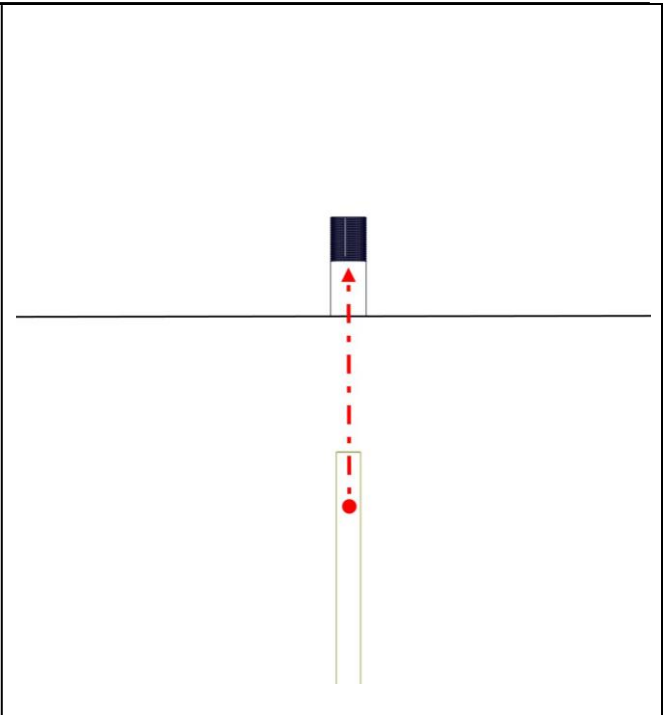


# ASSEMBLY TECHNIQUE

STEP 1.

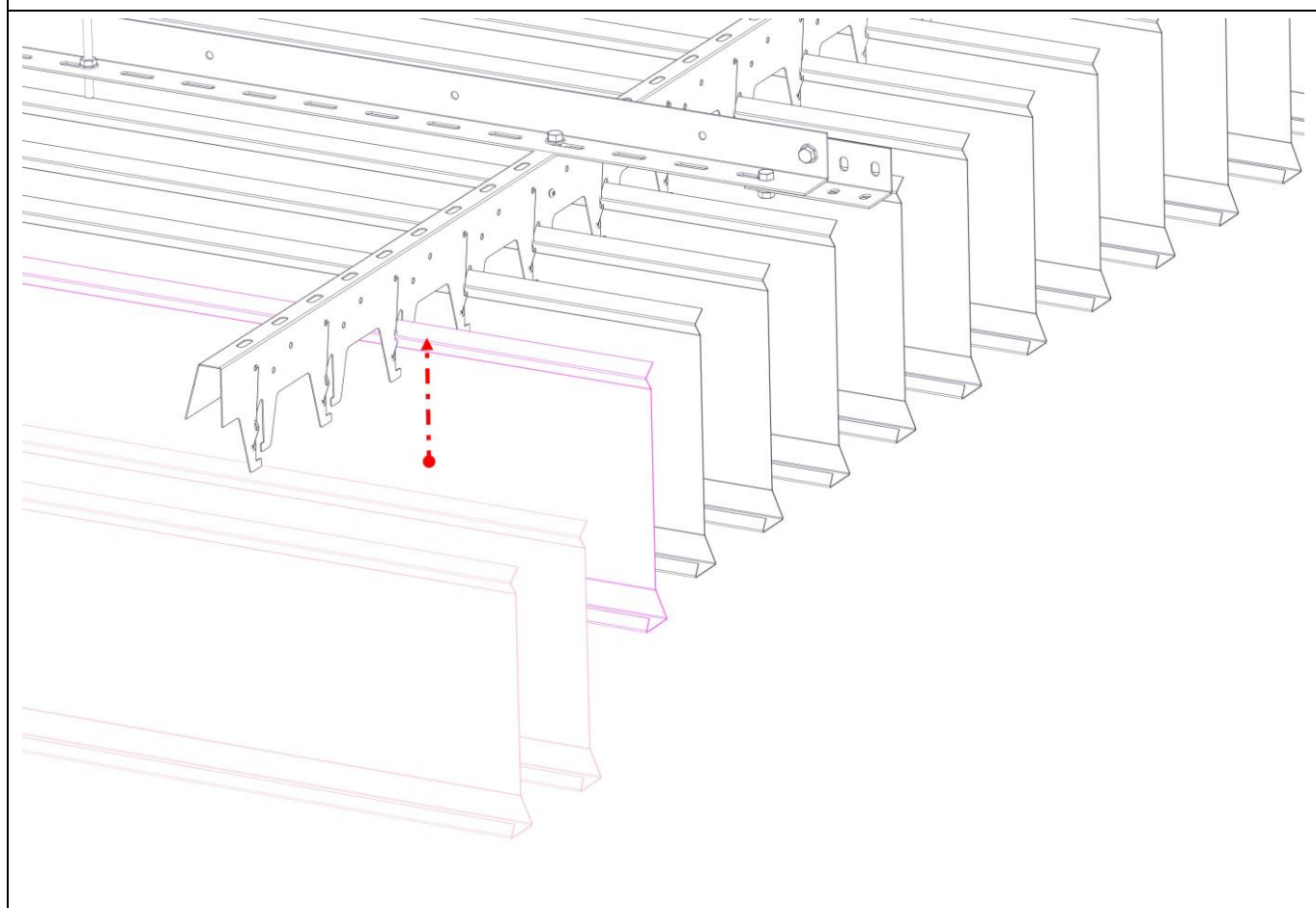
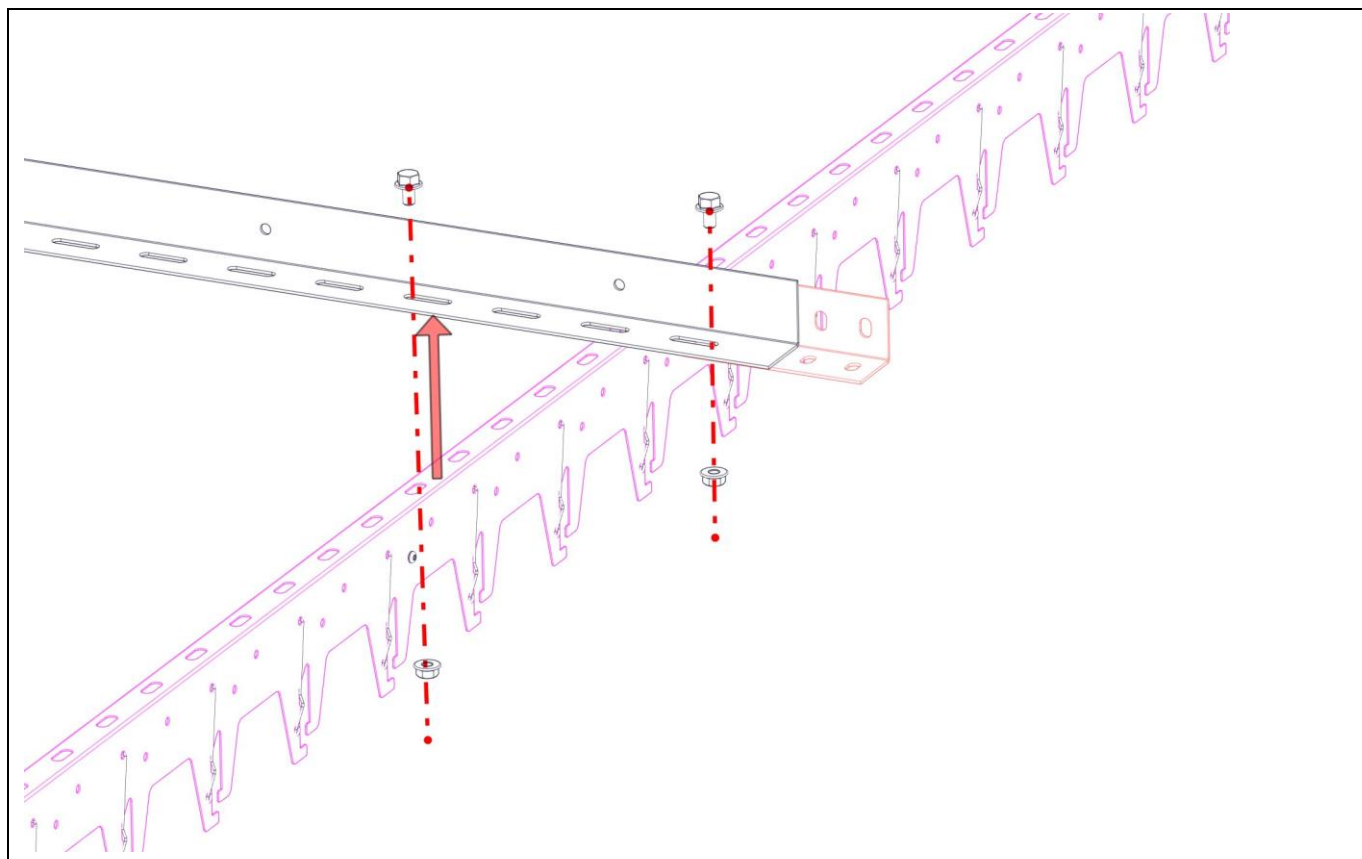


STEP 2.



STEP 3.

STEP 4.



STEP 5.



# Declaration of Performance

No:A-INT.PD20171001-01



<b>1.Uniquade identification code of the product-type:</b>	Metal Ceiling Systems
<b>2.Type, batch or serial number or any other element allowing identification of the construction product as required pursuant to Article 11 (4):</b>	Product Type, Order/Batch Nr.
<b>3.Intended use or uses of the construction product, in accordance with the applicable harmonized technical specification, as foreseen by the manufacturer:</b>	Internally, to produce an installed suspended ceiling
<b>4.Name, registered trade name or registered trade mark and contact address of the manufacturer as required pursuant to Article 11 (5):</b>	
<b>5.Where applicable, name and contact address of the authorized representative whose mandate covers the tasks specified in Article 12 (2):</b>	Not Applicable
<b>6.System or systems of assessment and verification of constancy of performance of the construction product as set out in Annex V:</b>	Systems 3
<b>7.In case of the declaration of performance concerning a construction product covered by a harmonized standard:</b>	(a)The manufacturer carrying out factory production control; (b) Turkish Standards Institution (TSE) /Notified Body No:1783 issued the Reaction to Fire classification report (Report No:TSE-19.01.2017-170050) according to TS EN 13501-1+A1:2013-04 as the notified testing laboratory (based on sampling carried out by the manufacturer).
<b>8.In case of the declaration of performance concerning a construction product for which a European Technical Assessment has been issued:</b>	Not Applicable

# Declaration of Performance

No:A-INT.PD20171001-01



## 9.Declared Performance

- (a) Column 1 shall contain the list of essential characteristics as determined in the harmonized technical specifications for the intended use or uses indicated in point 3 above.
- (b) For each essential characteristic listed in column 1 and in compliance with the requirements of Article 6, Column 2 shall contain the declared performance, expressed by level or class, or in a description, related to the corresponding essential characteristics. The letters 'NPD' (No Performance Determined) shall be indicated where no performance is declared.
- (c) For each essential characteristic listed in column 1, column 3 shall contain:
- I-Dated reference of the corresponding harmonized standard and, where relevant, the reference number of the Specific or Appropriate Technical Documentation used; or
  - II-Dated reference of the corresponding European Assessment Document where available and reference number of the European Technical Assessment used.

Essential Characteristics	Performance	Harmonized Technical Specification
Reaction To fire	A2-s1, d0	TS EN 13964:2014-04 + TS EN13501-1+A1:2010
Release of Dangerous Substances	No Content	TS EN 13964:2014-04 + TS EN13501-1+A1:2010
Flexural Tensile Strength	NPD	TS EN 13964:2014-04 + TS EN13501-1+A1:2010
Thermal Conductivity	NPD	TS EN 13964:2014-04 + TS EN13501-1+A1:2010
Durability	Corrosion Class B	TS EN 13964:2014-04 + TS EN13501-1+A1:2010
Sound Absorption Single Value $a_w$	See Table Below	TS EN 13964:2014-04 + TS EN13501-1+A1:2010

Sound Absorption Single Value $a_w$	Perforation Types		
	Ø1,5 mm	Ø1,8 mm	Ø2,5 mm
JM 60	-	0,35	0,35
Royalin R6/60	0,60		
JM 60 Double	0,45		
JM60 with 25 mm 50 kg/m <sup>3</sup> rockwool	1,00		

10. The performance of the product identified in point 1 and 2 is in conformity with the declared performance in point 9. This declaration of performance is issued under the sole responsibility of the manufacturer identified in point 4.