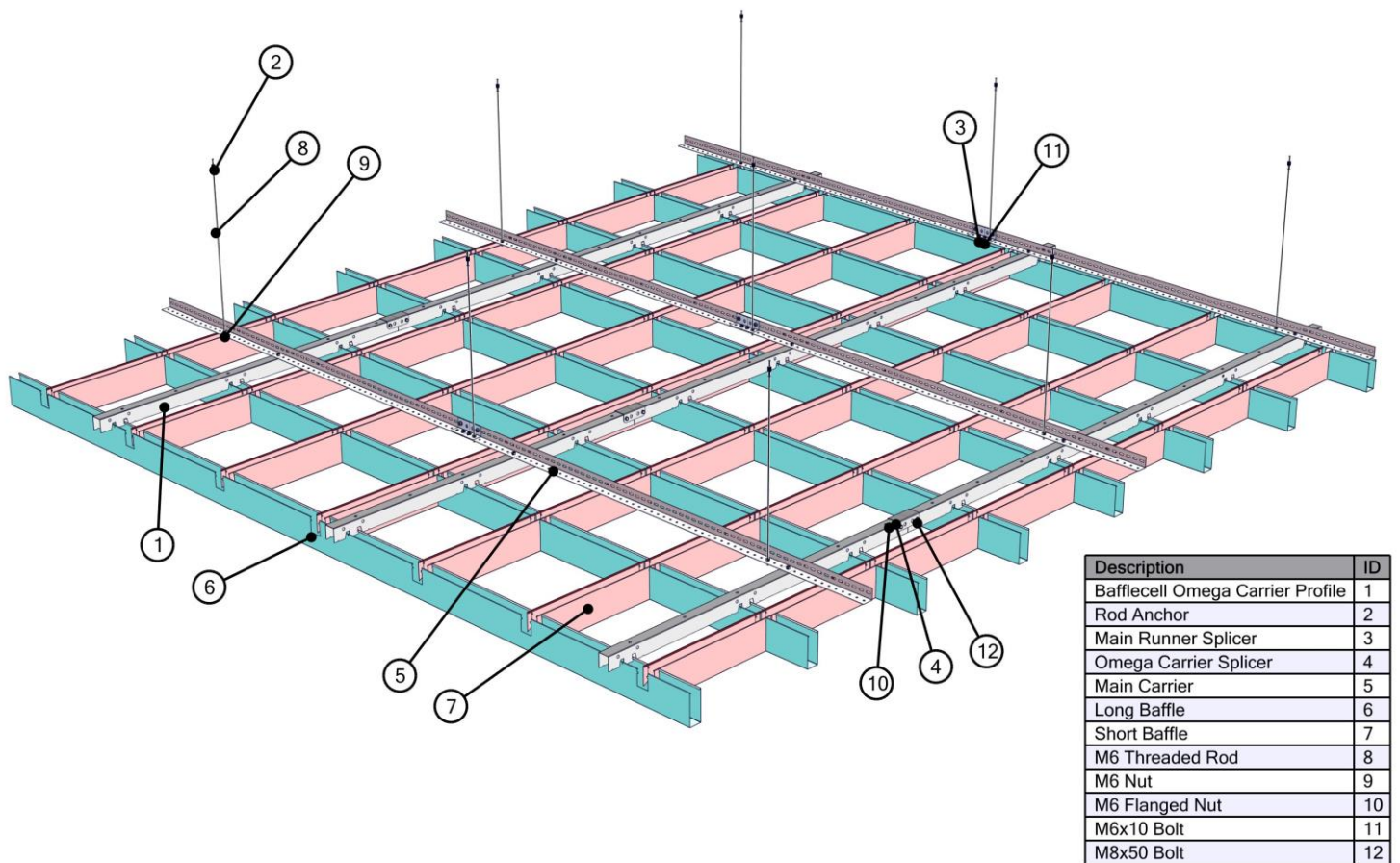


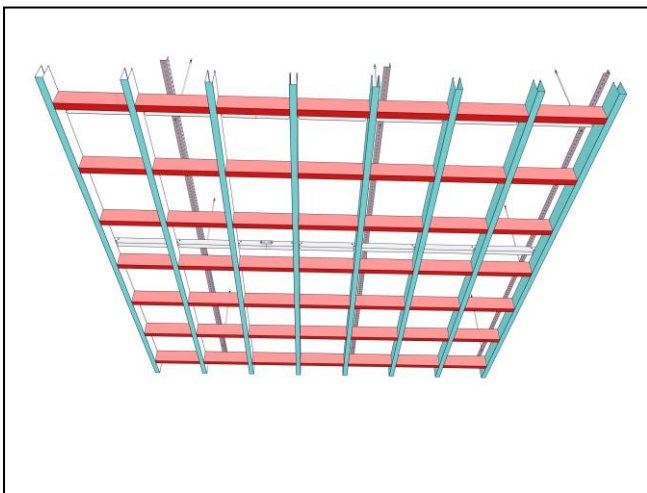
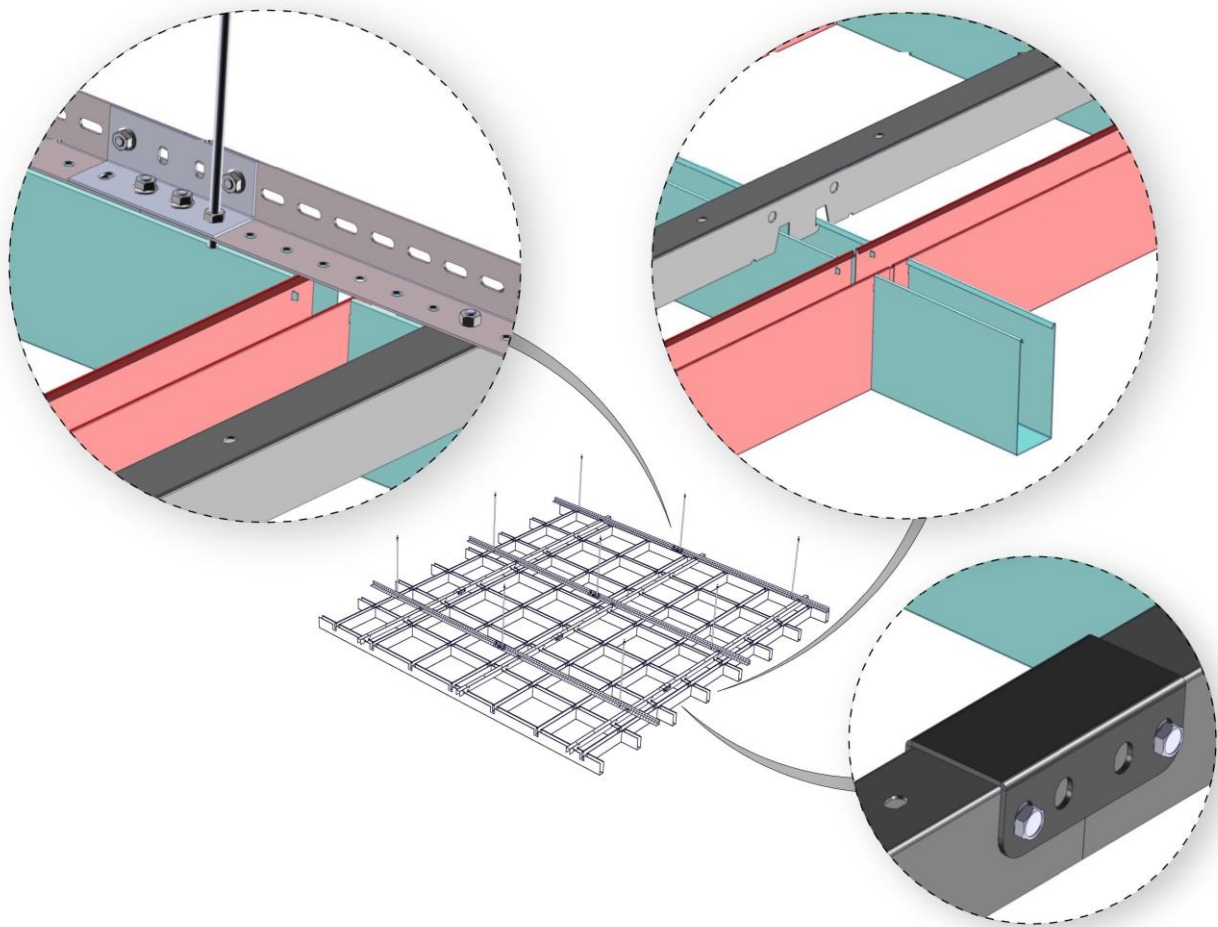
**BAFFLECELL  
SYSTEM**

# BAFFLECELL SYSTEM



- For wide open area design it offers linear continuity.
- Special lock system of carrier profile provides easy, secure and quick mounting.
- Different baffle panel size (W-H) and gap alternatives are possible as production.
- Perforation can be applied for design and acoustic concern.
- Different finishings are possible, RAL color, wood-a-like, Anodized...

# DETAIL VIEW



## Material Options

Galvanized Steel/Aluminum

## Acoustic

High acoustic performance with acoustic fleece up to  $\alpha_w$ : 1,00

## Humidity

Galvanize panel: 90% RH

Aluminum panel: 100 % RH

## Light Reflection

Straight Panel: 9010 Painted % 86

Perforated Panel : 9010 Painted % 72

## Hygiene

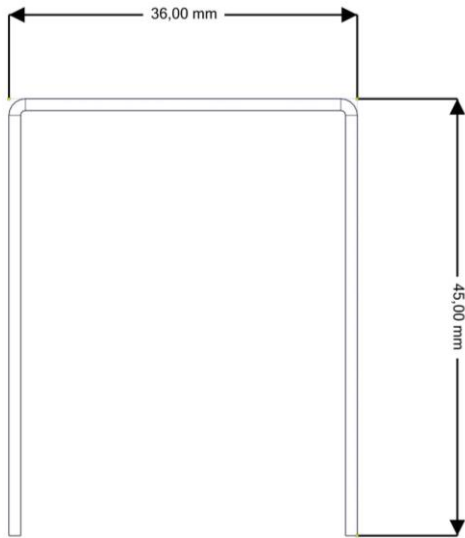
High performance in Blocking bacterial formation on panel surfaces by applying anti-microbial paint.

## Paint

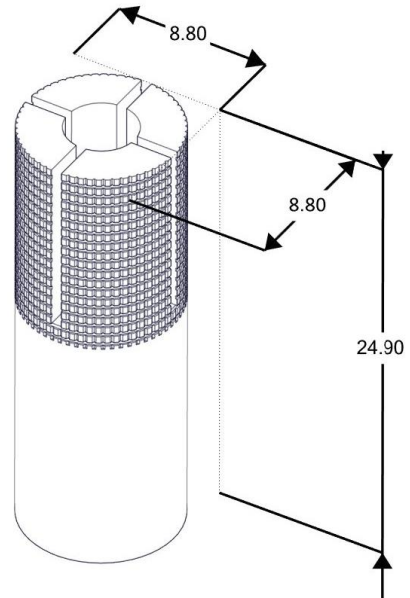
Prior to paint, sensitive surface cleaning and phosphate coverage is applied minimum 60 micron powder paint is sprayed by electrostatic system through 6 robots and cooked in a 180 meters long oven. The entire painting process takes place automatically by computer control.

# ELEMENT SPECIFICATION

## 1. Bafflecell Omega Carrier Profile



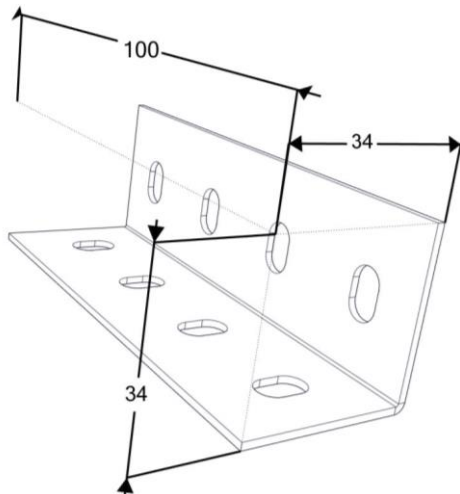
## 2. Rod Anchor



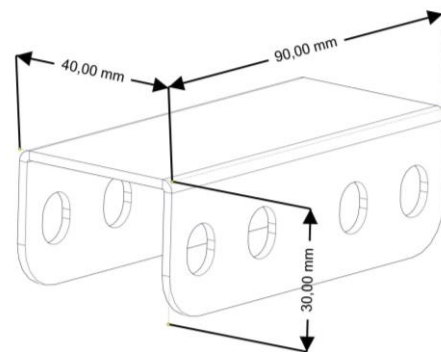
T : 1 mm Galvanized Steel  
W : 36 mm H : 45 mm L : 3000 mm

T : Ø 6 mm Galvanized Steel  
H : 25 mm

## 3. Main Runner Splicer

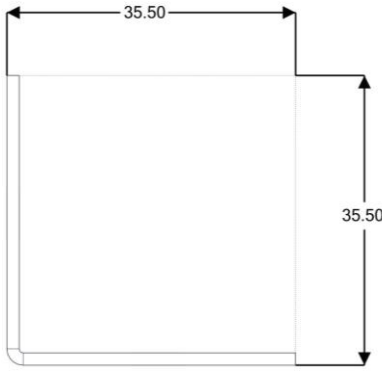
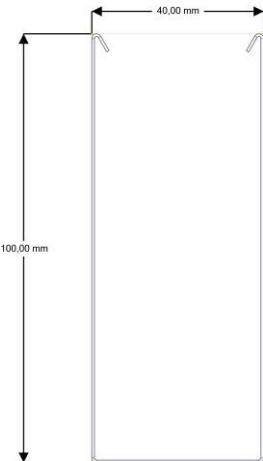
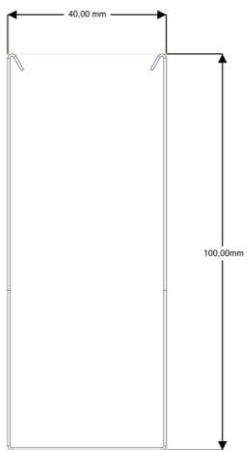
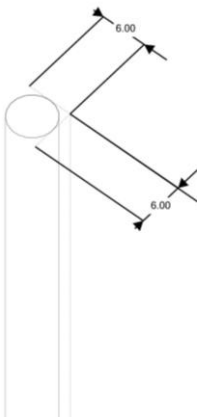
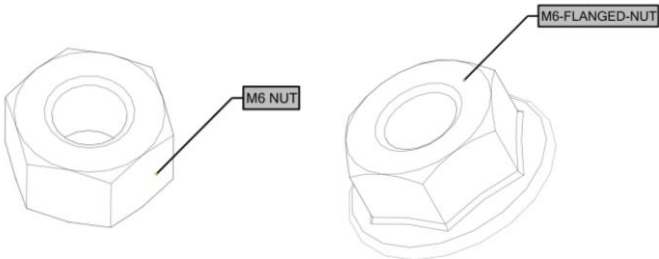
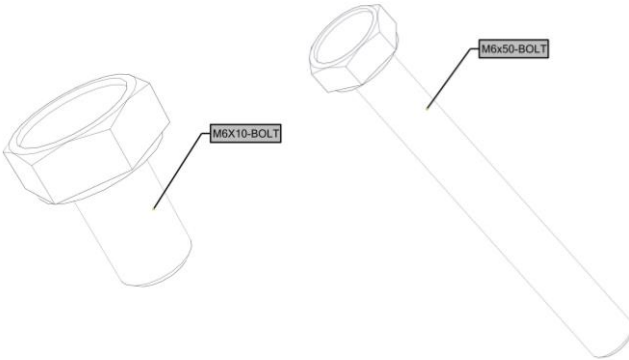


## 4. Omega Carrier Splicer

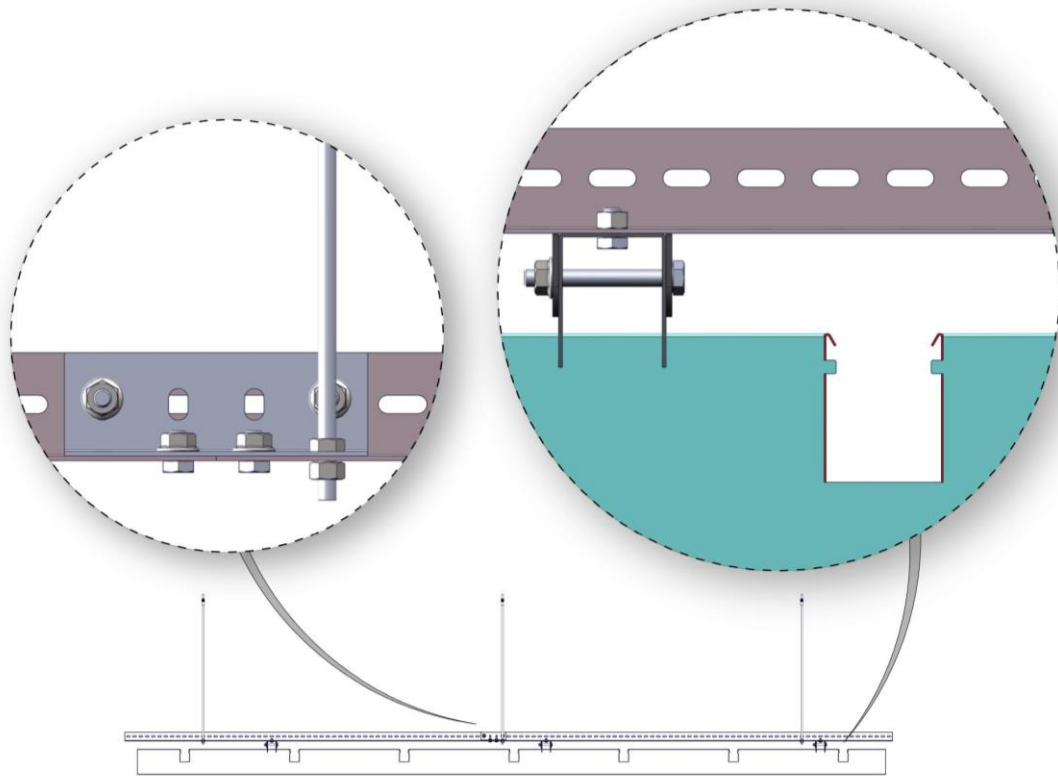
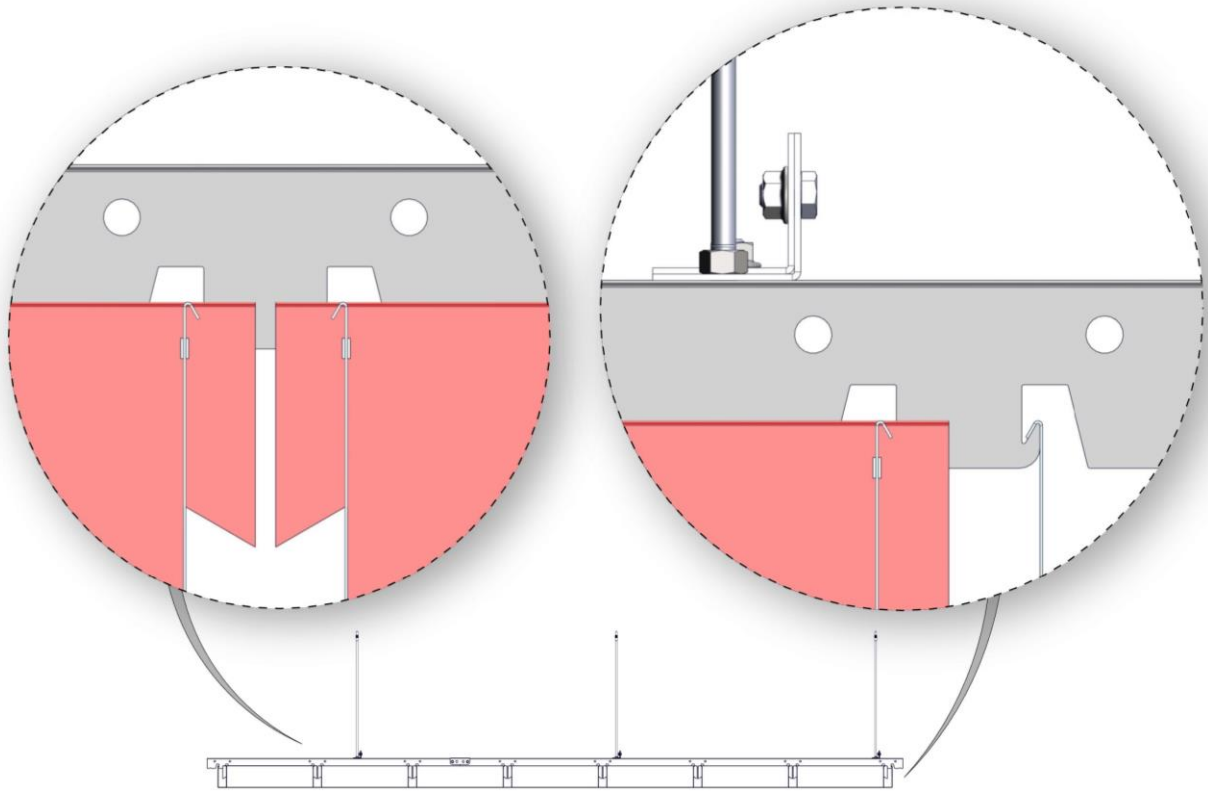


T : 1 mm Galvanized Steel  
W : 34 mm H : 34 mm L : 100 mm

T : 1 mm Galvanized Steel  
W : 40 mm H : 30 mm L : 90 mm

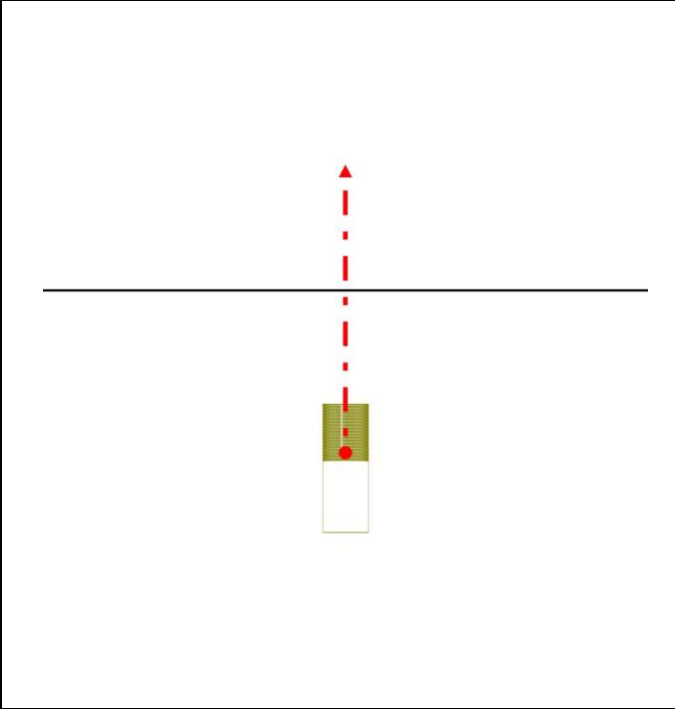
<p><b>5. Main Carrier</b></p> 	<p><b>6. Long Baffle</b></p> 
<p><b>T</b> : 1,5 mm Galvanized Steel  <b>W</b> : 35,5 mm    <b>H</b> : 35,5 mm    <b>L</b> : up to 3000 mm</p>	<p><b>T</b> : 0,6 mm Galvanized Steel  <b>W</b> : 40 mm    <b>H</b> : 100 mm    <b>L</b> : Up to 3000 mm</p>
<p><b>7. Short Baffle</b></p> 	<p><b>8. M6 Threaded Rod</b></p> 
<p><b>T</b> : 0,6 mm Galvanized Steel  <b>W</b> : 40 mm    <b>H</b> : 100 mm    <b>L</b> : Up to 1000 mm</p>	<p><b>T</b> : Ø 6 mm Galvanized Steel  <b>L</b> : Max 2000 mm</p>
<p><b>9. M6- Nut</b>                      <b>10. M6- Flanged-Nut</b></p> 	<p><b>11. M6x10 Bolt</b>                      <b>12. M8x50 Bolt</b></p> 
<p><b>Type</b> : Steel</p>	<p><b>Type</b> : Steel</p>

# DETAYLI KESİT

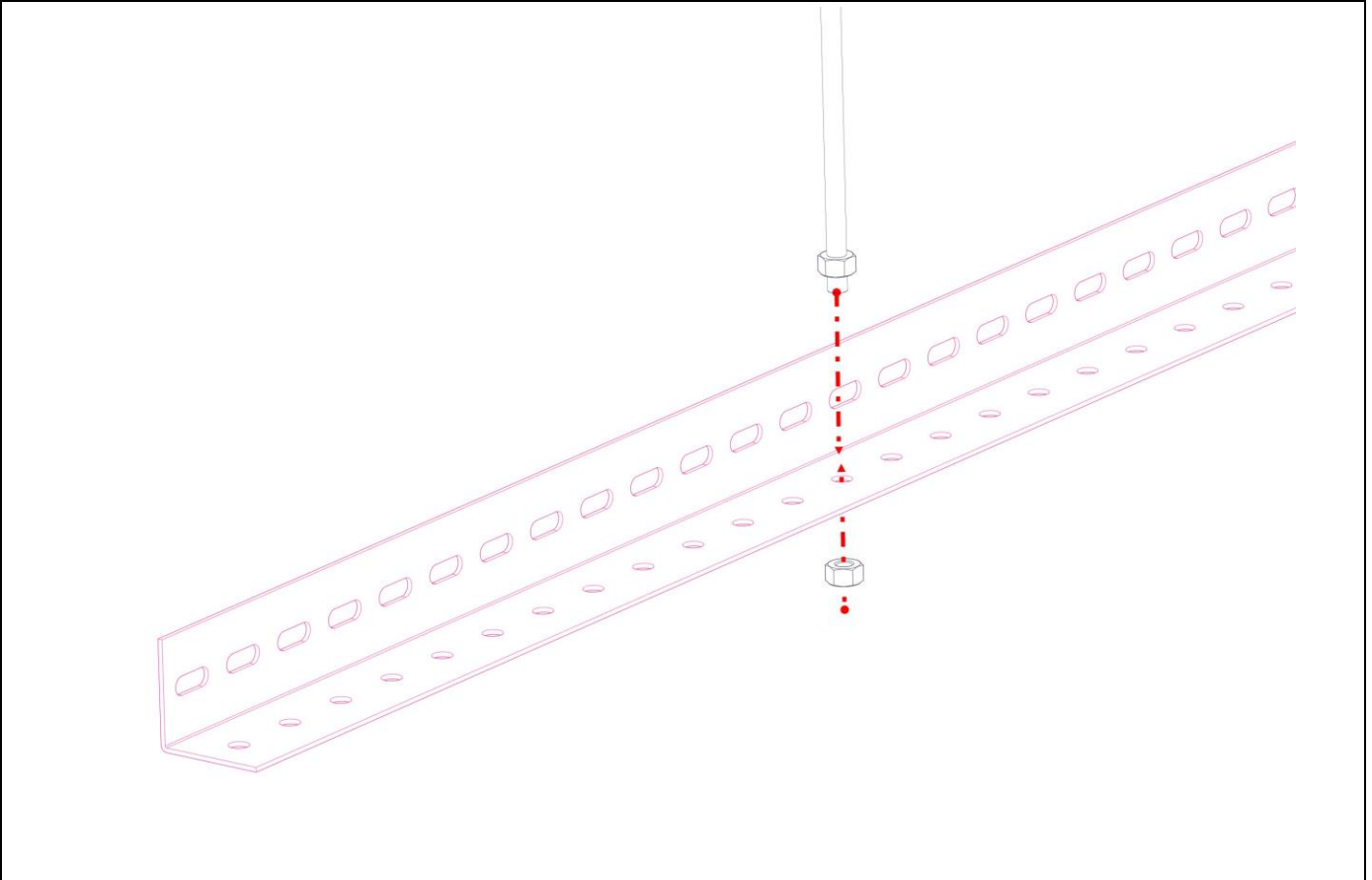
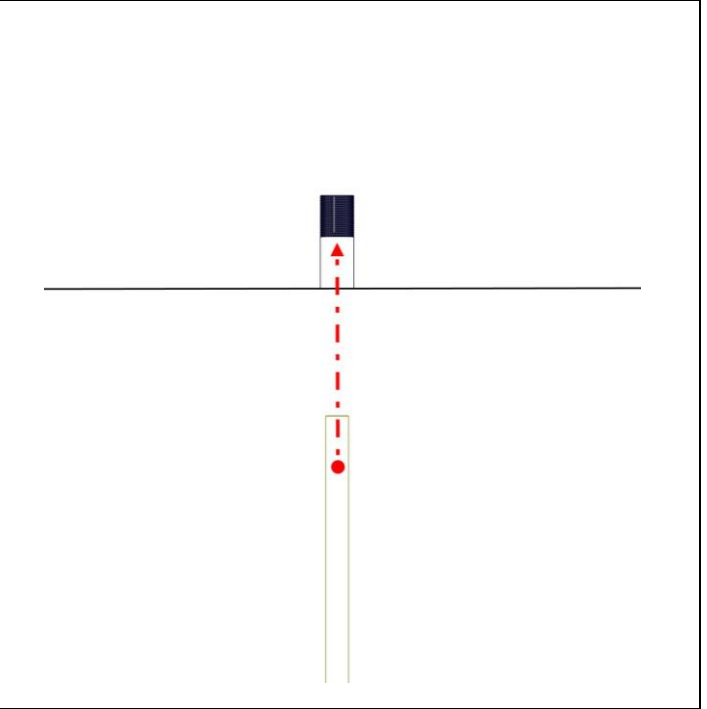


# UYGULAMA TEKNİĞİ

ADIM 1.

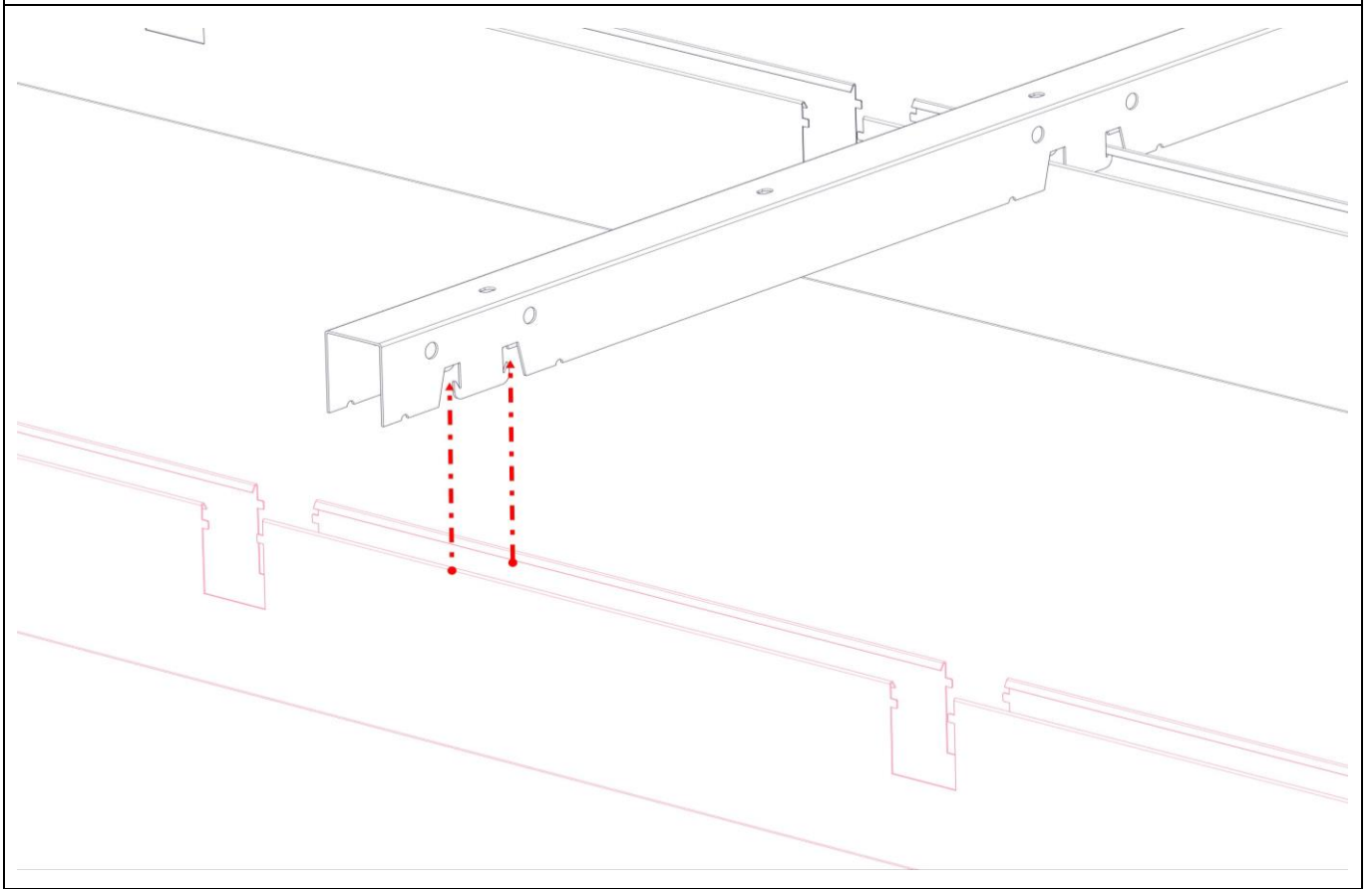
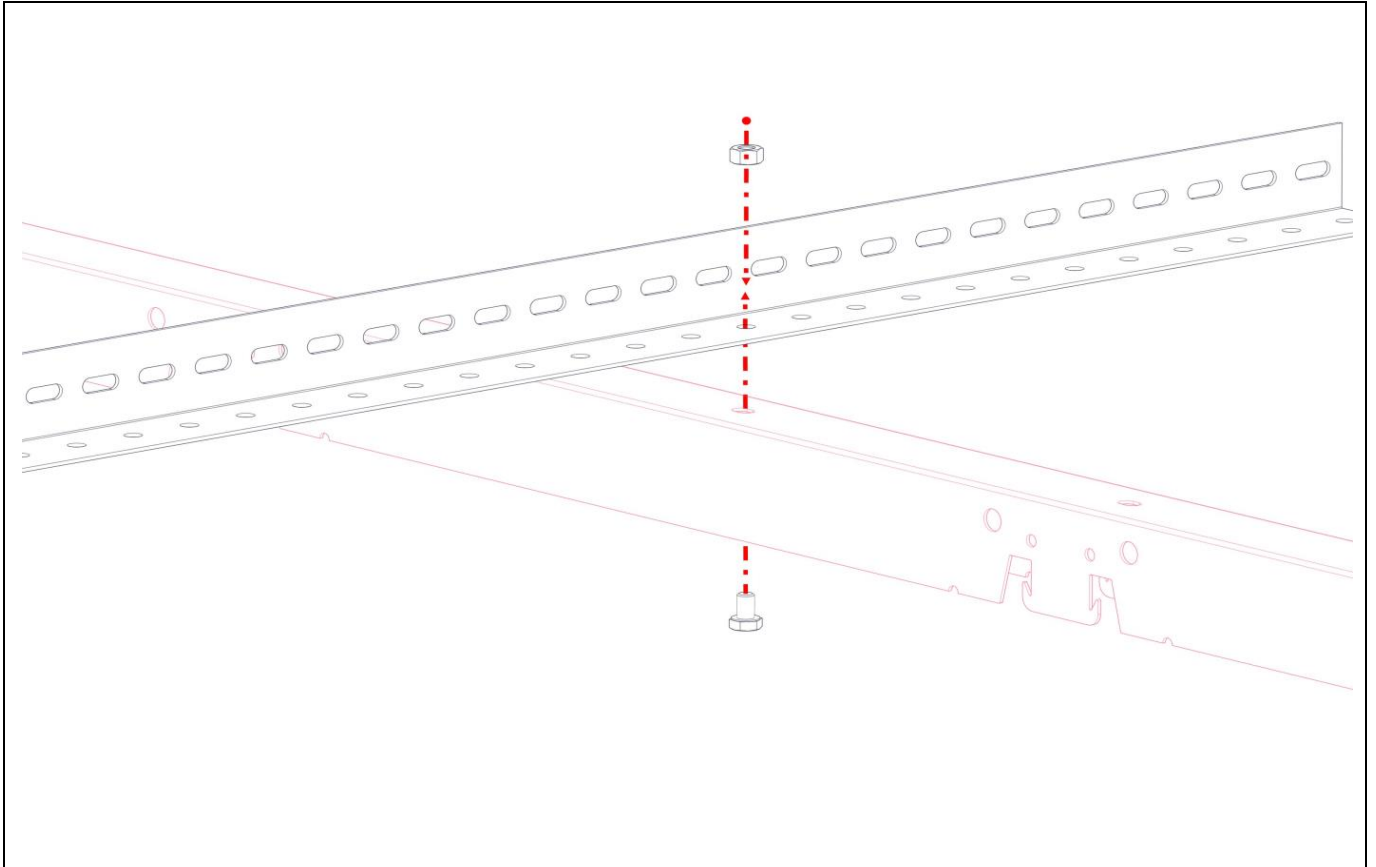


ADIM 2.



ADIM 3.

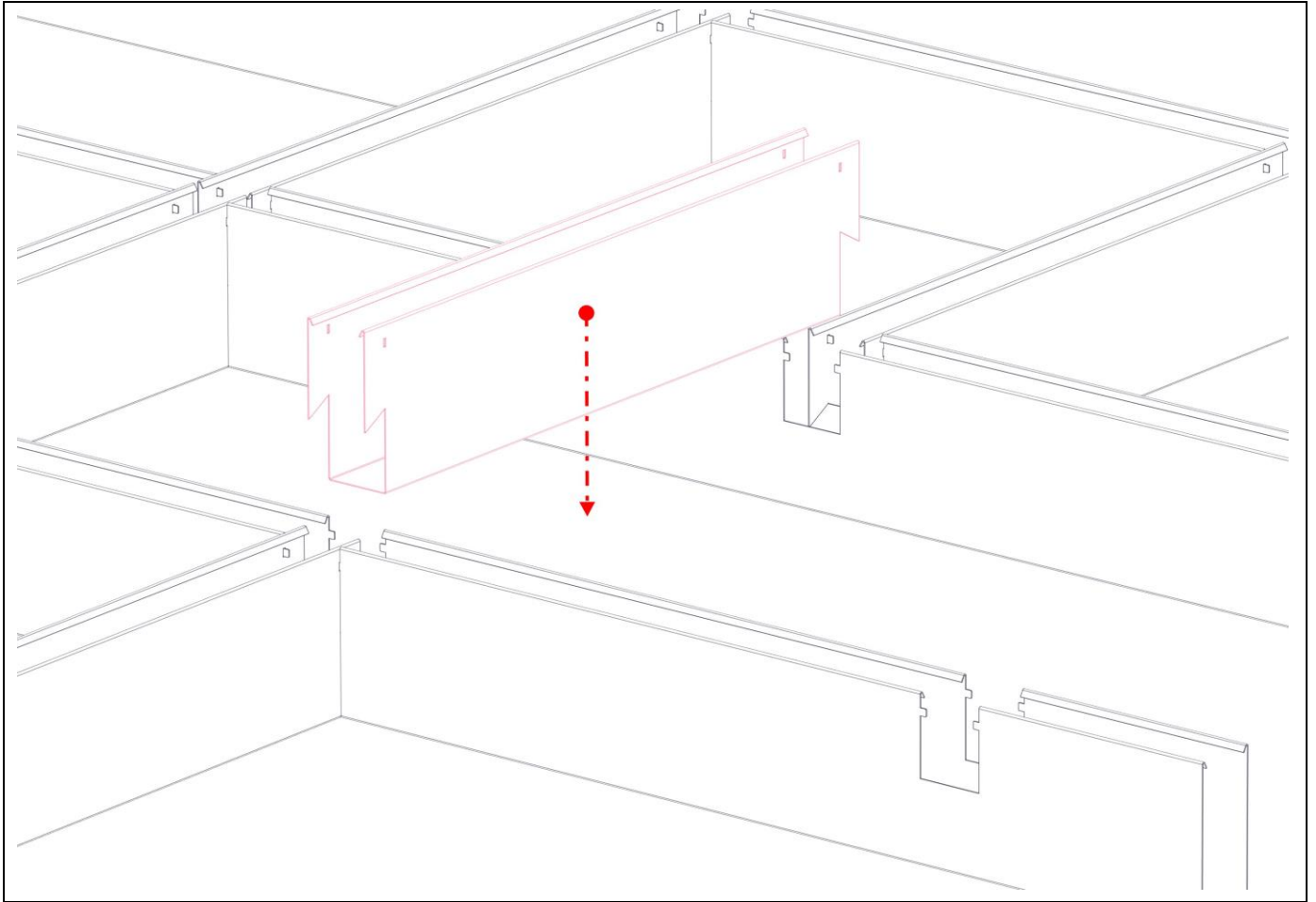
ADIM 4.



ADIM 5.



## ADIM 6.



# Declaration of Performance

No:A-INT.PD20171001-01



<b>1.Uniquade identification code of the product-type:</b>	Metal Ceiling Systems
<b>2.Type, batch or serial number or any other element allowing identification of the construction product as required pursuant to Article 11 (4):</b>	Product Type, Order/Batch Nr.
<b>3.Intended use or uses of the construction product, in accordance with the applicable harmonized technical specification, as foreseen by the manufacturer:</b>	Internally, to produce an installed suspended ceiling
<b>4.Name, registered trade name or registered trade mark and contact address of the manufacturer as required pursuant to Article 11 (5):</b>	
<b>5.Where applicable, name and contact address of the authorized representative whose mandate covers the tasks specified in Article 12 (2):</b>	Not Applicable
<b>6.System or systems of assessment and verification of constancy of performance of the construction product as set out in Annex V:</b>	Systems 3
<b>7.In case of the declaration of performance concerning a construction product covered by a harmonized standard:</b>	(a)The manufacturer carrying out factory production control; (b) Turkish Standards Institution (TSE) /Notified Body No:1783 issued the Reaction to Fire classification report (Report No:TSE-19.01.2017-170050) according to TS EN 13501-1+A1:2013-04 as the notified testing laboratory (based on sampling carried out by the manufacturer).
<b>8.In case of the declaration of performance concerning a construction product for which a European Technical Assessment has been issued:</b>	Not Applicable

# Declaration of Performance

No:A-INT.PD20171001-01



## 9.Declared Performance

- (a) Column 1 shall contain the list of essential characteristics as determined in the harmonized technical specifications for the intended use or uses indicated in point 3 above.
- (b) For each essential characteristic listed in column 1 and in compliance with the requirements of Article 6, Column 2 shall contain the declared performance, expressed by level or class, or in a description, related to the corresponding essential characteristics. The letters 'NPD' (No Performance Determined) shall be indicated where no performance is declared.
- (c) For each essential characteristic listed in column 1, column 3 shall contain:
- I-Dated reference of the corresponding harmonized standard and, where relevant, the reference number of the Specific or Appropriate Technical Documentation used; or
  - II-Dated reference of the corresponding European Assessment Document where available and reference number of the European Technical Assessment used.

Essential Characteristics	Performance	Harmonized Technical Specification
<b>Reaction To fire</b>	A2-s1, d0	TS EN 13964:2014-04 + TS EN13501-1+A1:2010
<b>Release of Dangerous Substances</b>	No Content	TS EN 13964:2014-04 + TS EN13501-1+A1:2010
<b>Flexural Tensile Strength</b>	NPD	TS EN 13964:2014-04 + TS EN13501-1+A1:2010
<b>Thermal Conductivity</b>	NPD	TS EN 13964:2014-04 + TS EN13501-1+A1:2010
<b>Durability</b>	Corrosion Class B	TS EN 13964:2014-04 + TS EN13501-1+A1:2010
<b>Sound Absorption Single Value <math>a_w</math></b>	See Table Below	TS EN 13964:2014-04 + TS EN13501-1+A1:2010

Sound Absorption Single Value $a_w$	Perforation Types		
	Ø1,5 mm	Ø1,8 mm	Ø2,5 mm
JM 60	-	0,35	0,35
Royalin R6/60	0,60		
JM 60 Double	0,45		
JM60 with 25 mm 50 kg/m <sup>3</sup> rockwool	1,00		

10. The performance of the product identified in point 1 and 2 is in conformity with the declared performance in point 9. This declaration of performance is issued under the sole responsibility of the manufacturer identified in point 4.