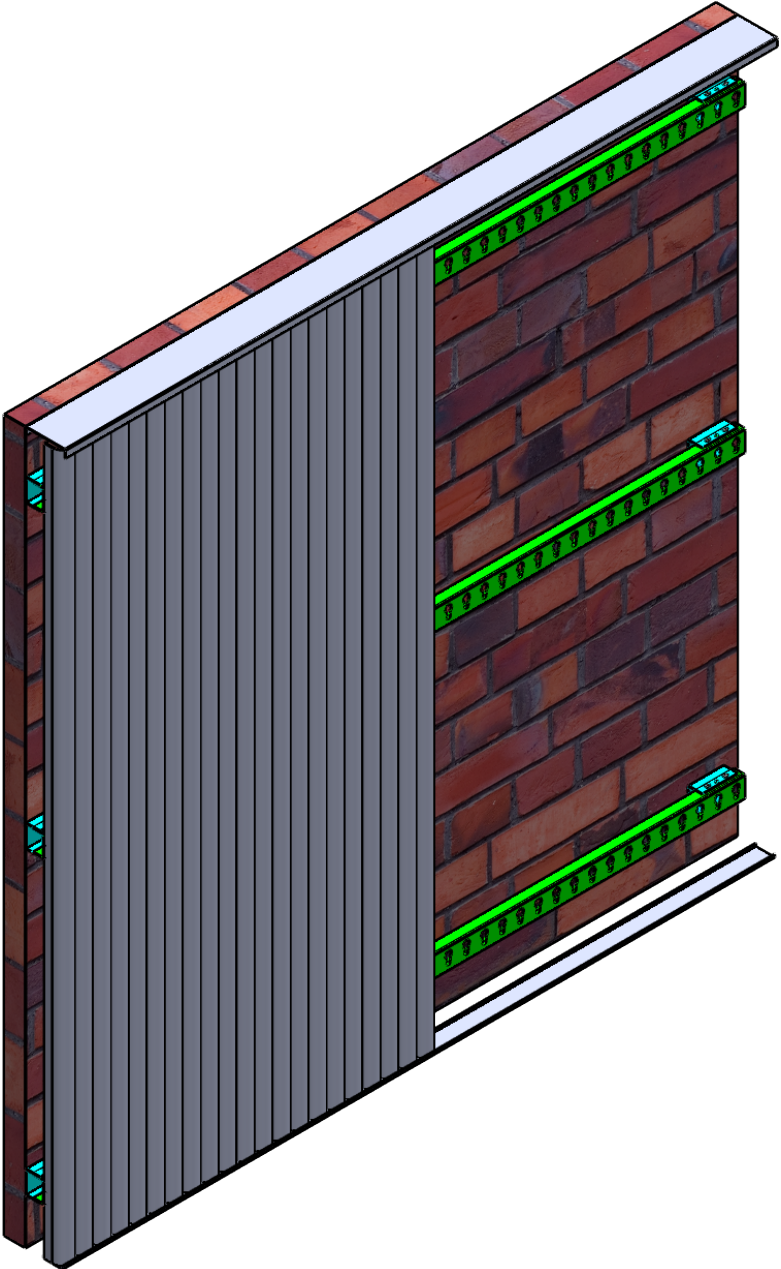


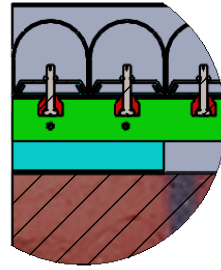
U50 Baffle Wall Cladding System

U50 Baffle Wall Cladding System

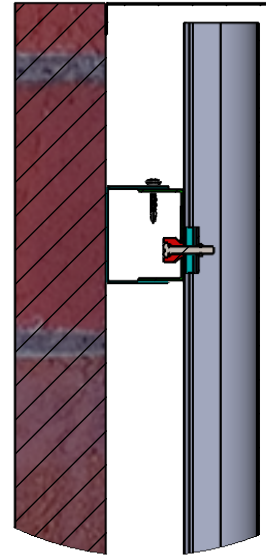




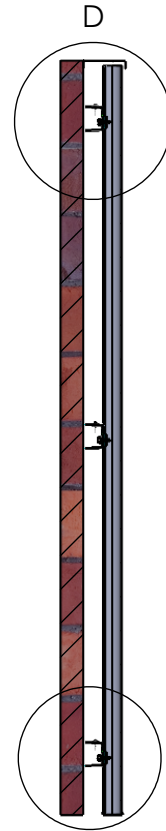
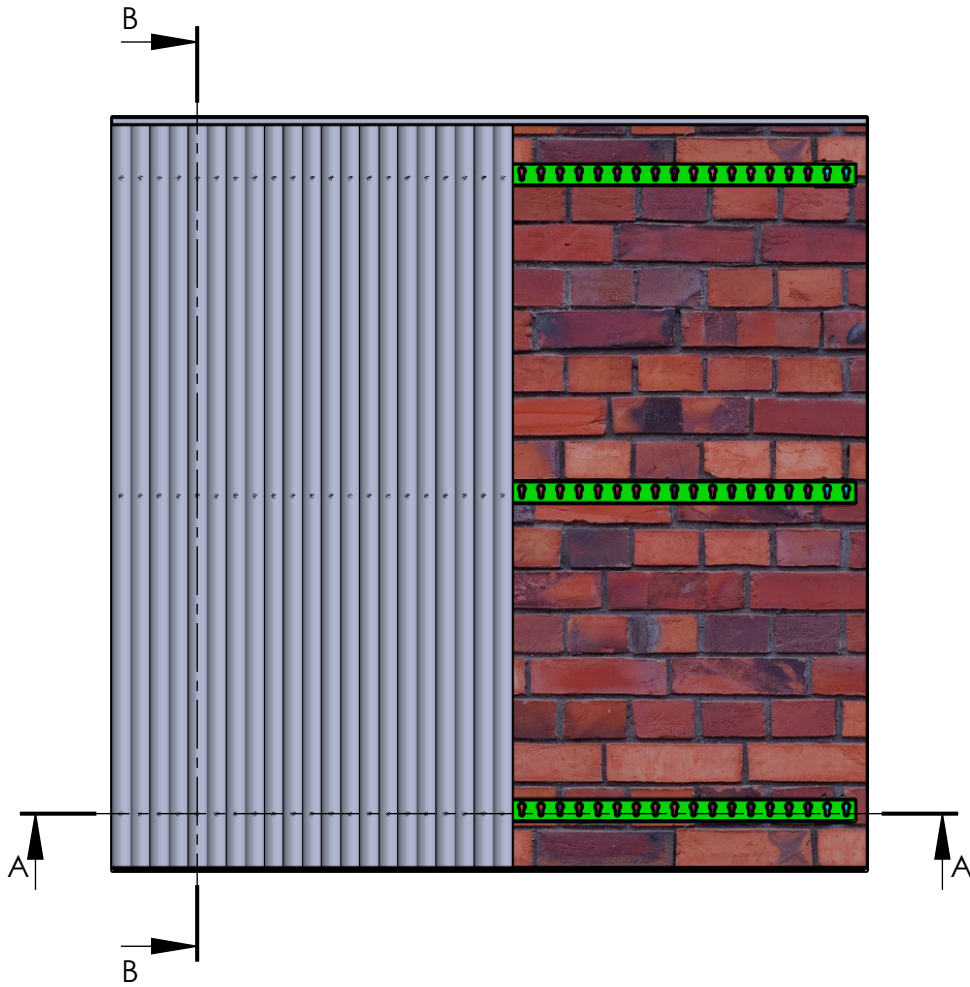
SECTION A-A



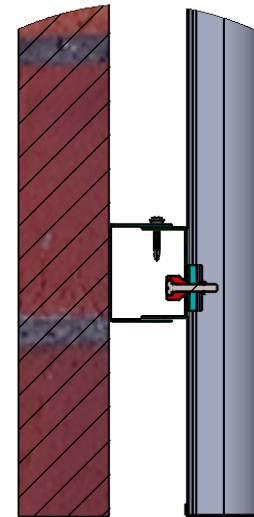
DETAIL C



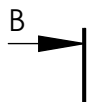
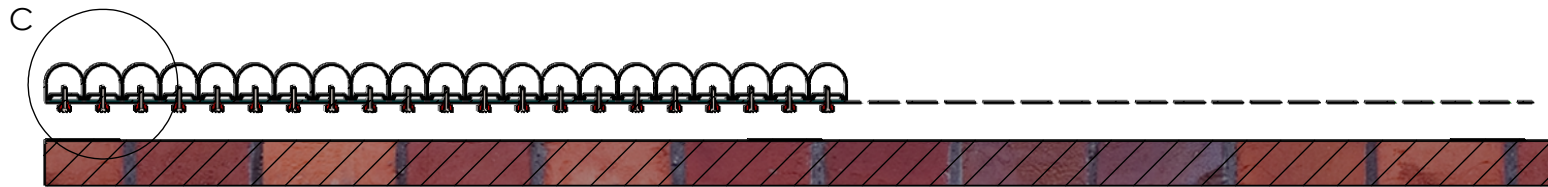
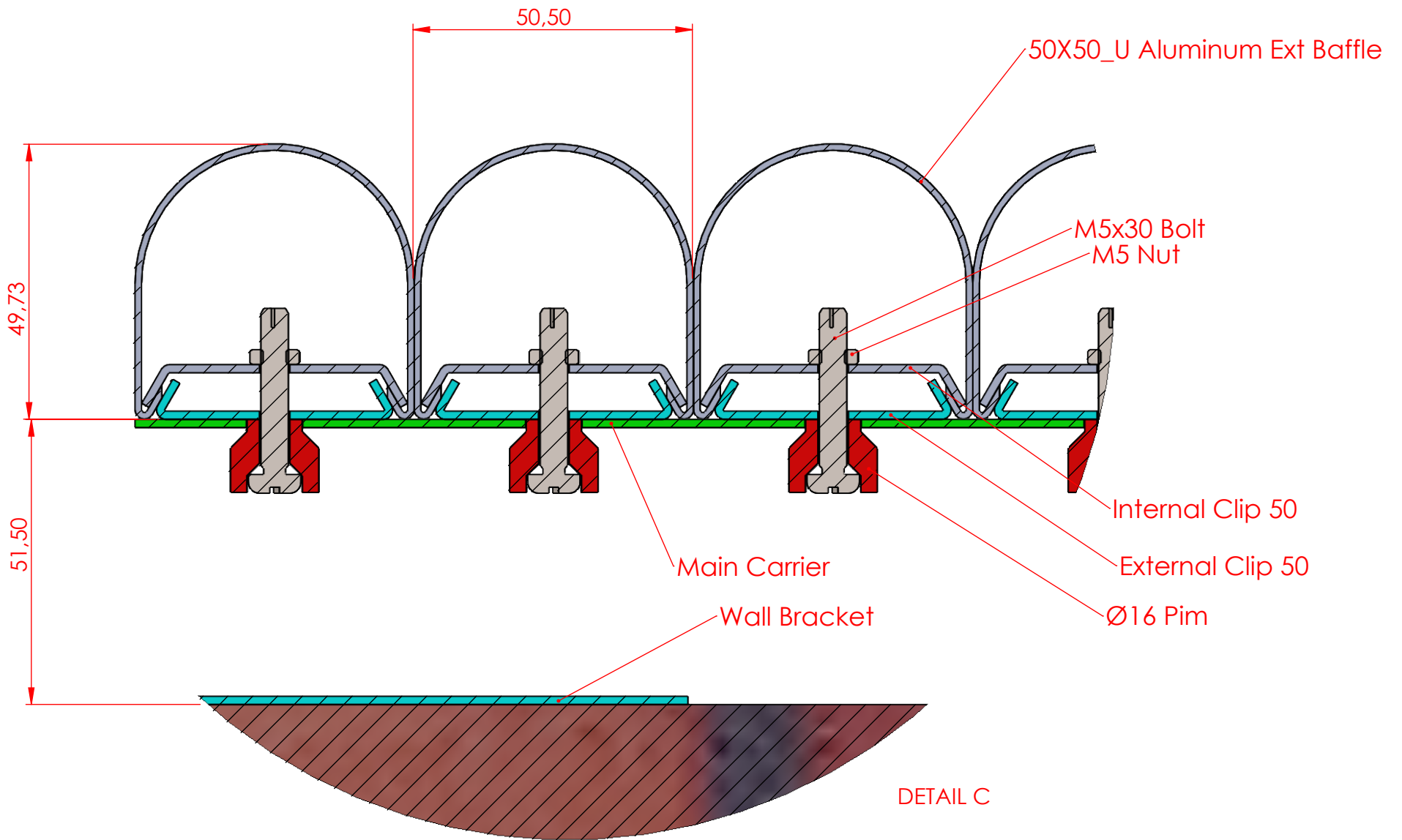
DETAIL D

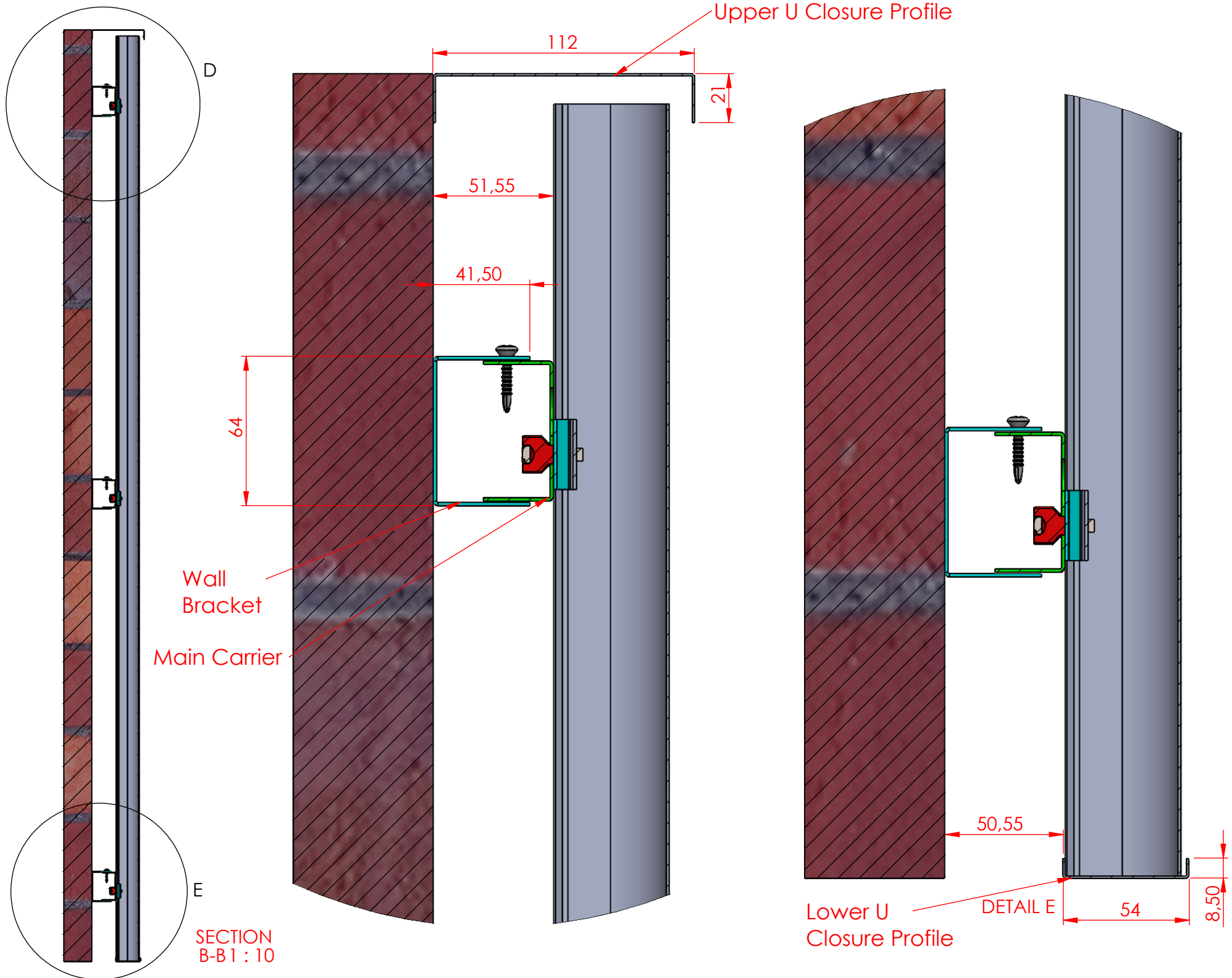


SECTION B-B



DETAIL E





HANGER SET

